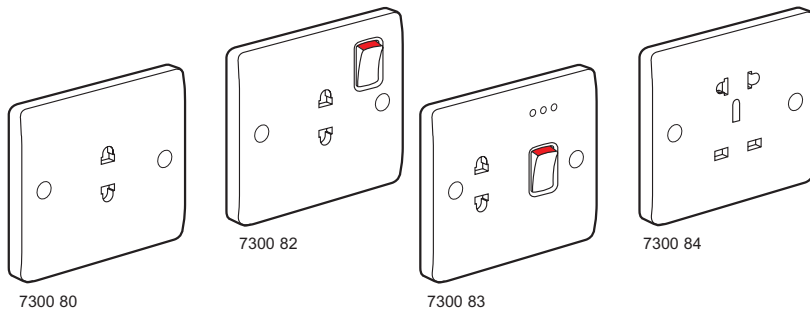


**Synergy®  
 10/16 A Euro - US socket outlets**
**Cat. No(s) : 7300 80/81/82/83/84**

**CONTENTS**

Page

1. Applications .....	1
2. White range .....	1
3. Dimensions .....	1
4. Installation .....	2
4. Connection .....	2
6. General characteristics .....	2
7. Maintenance .....	2
8. Accessories .....	2

**1. APPLICATIONS**

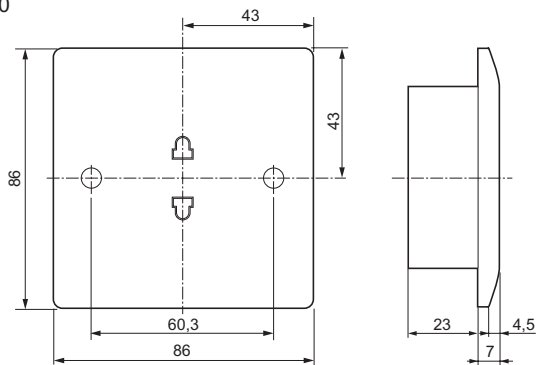
Switched and unswitched socket outlets designed to accept US standard 15 A plugs and European 16 A plugs of two pin configuration. Also version that can accept 13 A 3 pin plugs.

**2. WHITE RANGE**

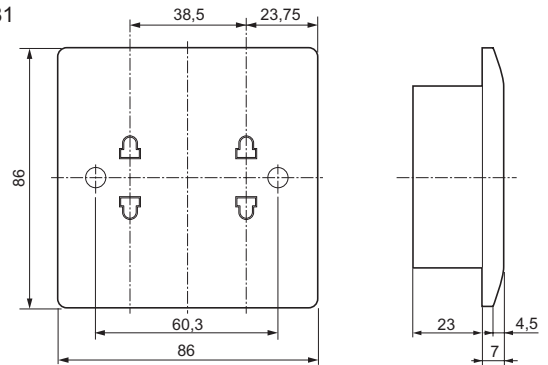
Description	Cat. No.	Characteristics	Weight (g)
1 gang	7300 80	15 A, 127 V AC 16 A, 250 V AC	83
2 gang	7300 81	15 A, 127 V AC 16 A, 250 V AC	107
1 gang socket SP. switched	7300 82	15 A, 127 V AC 16 A, 250 V AC	91
1 gang socket Outlet plus 1 gang 1 way switch	7300 83	Socket : 15 A, 127 V AC Socket : 16 A, 250 V AC Switch : 10 Ax	94
Combination socket 1 x BS 13 A type socket 1 x Euro/US socket outlet	7300 84	BS 13 A type, 250 V AC Euro/US 16 A, 250 V AC	116

**3. DIMENSIONS (mm)**

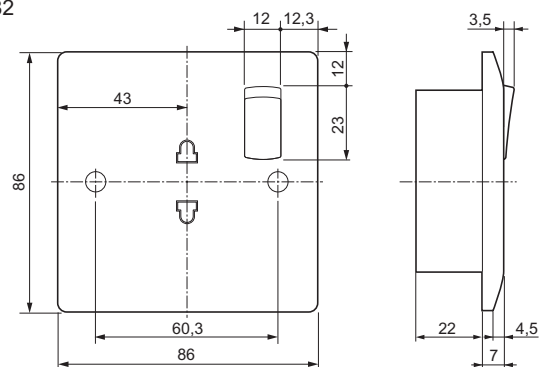
7300 80


**3. DIMENSIONS (mm) (continued)**

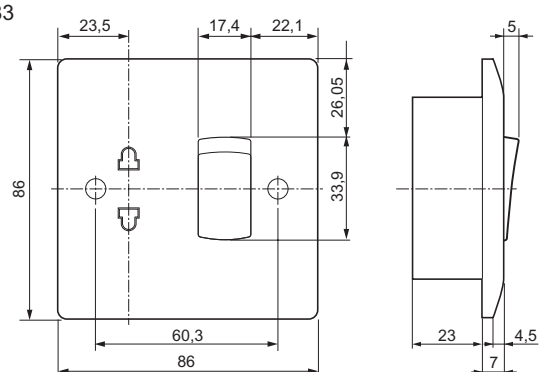
7300 81



7300 82

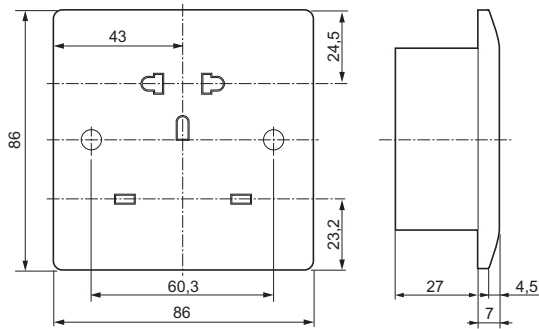


7300 83



**3. DIMENSIONS (mm) (continued)**

7300 84



**4. INSTALLATION**

**Flush mounting :**

- All products supplied with 2 x M 3.5 fixing screws and 2 thermo-plastic screw covers. It is recommended that redundant top and bottom fixing lugs in metal back boxes are bent back to increase room for mechanisms and their attendant wiring.
- 35 mm recommended depth back box.

**Surface mounting :**

2 gang pattress, depth 35 mm, Cat. No 7364 06

**5. CONNECTION**

**5.1 Terminal capacity (L, N)**

- 3 x 2.5 mm<sup>2</sup>
- 3 x 4.0 mm<sup>2</sup>
- 2 x 6.0 mm<sup>2</sup>
- Recommended screwdriver size : 4 mm flat blade
- Recommended tightening torque : 0,8 Nm
- **Earth** : 2 x 2,5 mm<sup>2</sup>  
 1 x 4 mm<sup>2</sup>  
 1 x 6 mm<sup>2</sup>
- Screwdriver : 4 mm flat blade
- Torque : 0,5 Nm
- **Terminal capacity (including earth) switch Cat. No 7300 83**  
 4 x 1,5 mm<sup>2</sup>  
 2 x 2,5 mm<sup>2</sup>  
 1 x 4 mm<sup>2</sup>
- Screwdriver : 4 mm flat blade
- Torque : 0,5 Nm

**6. GENERAL CHARACTERISTICS**

**6.1 Mechanical characteristics**

- IP rating : IP2X
- IK rating : IK01
- Terminal supplied in backed-off position
- Patented 3-pin operated shutter mechanism on 13 A socket (Cat. No 7300 84)

**6.2 Electrical characteristics**

- 7300 81 2 electrical independant socket outlets
- 7300 82 Single pole switched socket outlet  
 minimum 3 mm contact separation
- 7300 83 1 socket outlet plus 1 electrically independant switch
- 7300 84 2 socket outlets electrically interconnected

**6. GENERAL CHARACTERISTICS (continued)**

**6.3 Material properties**

- Faceplate : Thermoset urea self-extinguishing at 960° C / 30 s
- Base : Self-extinguishing at 850° C / 30 s
- Rocker (Cat. No 7300 82) : Polycarbonate, self-extinguishing at 850° C / 30 s
- Rocker (Cat. No 7300 83) : Thermoset urea self-extinguishing at 960° C / 30 s
- Fixing screw concealment plugs : Polycarbonate

**6.4 Resistance to chemicals**

Resistance to chemical agents	PC	UREA
Acetone	n	l
Acetic acid 10 %	S	-
Hydrochloric acid	S (20%)	n
Citric acid 10 %	S	-
Hydrofluoric acid 4 %	S	l
Lactic acid 10 %	S	-
Nitric acid 10 %	S	-
Phosphoric acid 85 %	l	n
Sulphuric acid 25 %	S	n
Tannic acid	n	-
Cleaning agents containing traces of ammonia quaternaires	n	S
Ethyl alcohol	S	l
Methyl alcohol (methanol)	l	l
Ammonia	n	l
Aniline	n	l
Benzene	n	l
Lime	n	l
Liquid chlorine	n	-
Barium chloride	S	-
Chlorinated lime 20 %	S	-
Javel water	S	-
Seawater	S	-
Oil	S	S
Milk	S	-
Fuel	S	l
Petroleum oil, petroleum ether	l	l
Caustic soda	n (40%)	S (25%)
Sugar	S	-
Toluene	n	-
Trichlorethylene	n	l
Urine	S	-
Wine	S	-

S = satisfactory - l = limit - n = not satisfactory

**6.5 Functional limitations**

- Products may be stored at temperatures between - 5° C and + 40° C
- Maximum average temperature in any 24 hour period not to exceed 25° C.

**7. MAINTENANCE**

The use of abrasives or solvent-based cleaners is strictly forbidden as it could result in irreparable damage to the products external surfaces. We recommend the use of a soft, slightly damp cloth to remove fingerprints, etc...

**8. ACCESSORIES**

- LED "power on" upgrade pack :  
 Cat. No 7300 58 for indicator usage (pack of 10)\*.  
 Cat. No 7301 58 for locator usage (pack of 10)\*.  
 When used as an indicator, a neutral supply has to be brought to the unit
- \* **Note : For installation tests ensure LED packs are disconnected**
- Fixing screw concealment plugs, Cat. No 7301 53 (pack of 50).