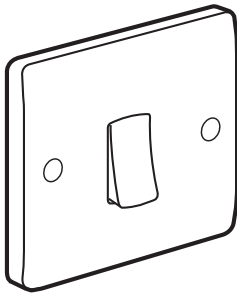
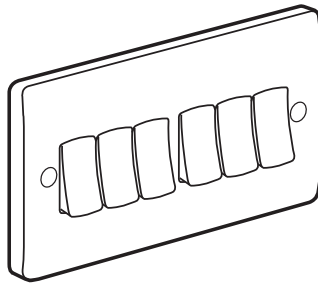


Synergy™
10 AX Switches

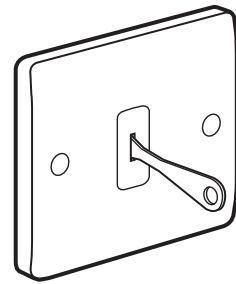
Cat. No(s): 7 300 00/01/02/03/04/05/06/08/24
7 301 24



7 300 00



7 300 06



7 300 08

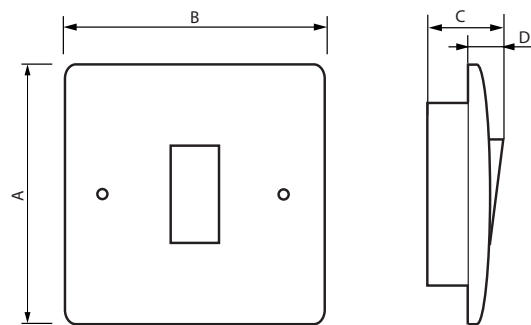
1. USE

Lighting control switches complete delivered, with compact mechanisms for maximum wiring space.
 One Gang switches can be optionally equipped with LED indicators/locators.
 For flush-mounting, back box to be min. 16 mm depth.
 Fixing with screws.

2. RANGE

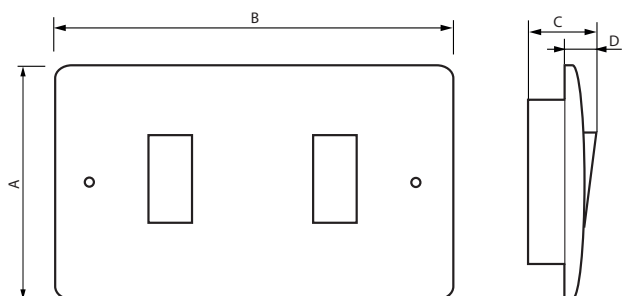
Cat. Nos	Description	Characteristics
7 300 00 7 300 01	1 Gang - 1 way 1 Gang - 2 way	10 AX - 250 V~ 10 AX - 250 V~
7 300 05	1 Gang Intermediate	10 AX - 250 V~
7 300 24 7 300 02	2 Gang - 1 way 2 Gang - 2 way	10 AX - 250 V~ 10 AX - 250 V~
7 301 24 7 300 03	3 Gang - 1 way 3 Gang - 2 way	10 AX - 250 V~ 10 AX - 250 V~
7 300 04	4 Gang - 2 way	10 AX - 250 V~
7 300 06	6 Gang - 2 way	10 AX - 250 V~
7 300 08	1 Gang - 2 way Keyswitch	10 AX - 250 V~

3. OVERALL DIMENSIONS (mm)



Cat. Nos	A	B	C	D
7 300 00/01/02/03/05 7 300 24 - 7 301 24	86	86	25.2	11.5
7 300 08	86	86	20.7	7 *

* max faceplate depth.



Cat. Nos	A	B	C	D
7 300 04/06	86	146	25.2	11.5

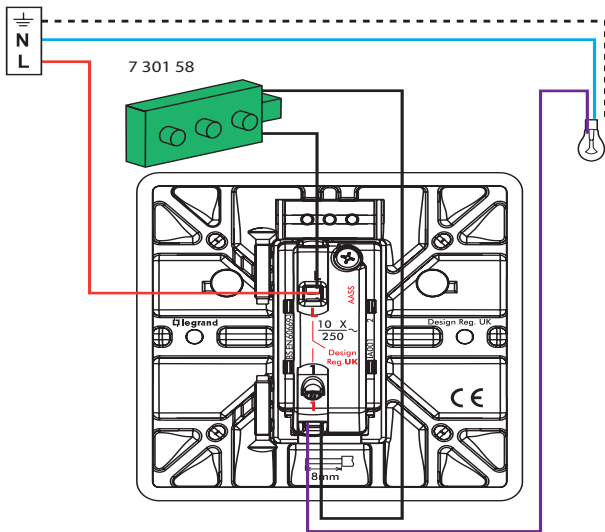
4. CONNECTION

Type of terminals : with screws
Terminal capacity: 4 x 1 mm² - 4 x 1.5 mm² - 2 x 2.5 mm² - 1 x 4 mm²
Stripping length: 11 mm
Compatible with flexible or rigid cables.
- Recommended screwdriver size: 4mm flat blade
- Recommended terminal tightening torque: 0.5 Nm

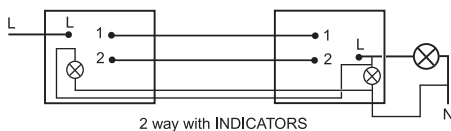
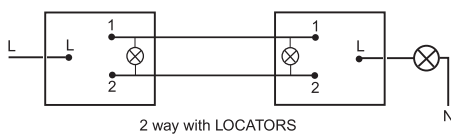
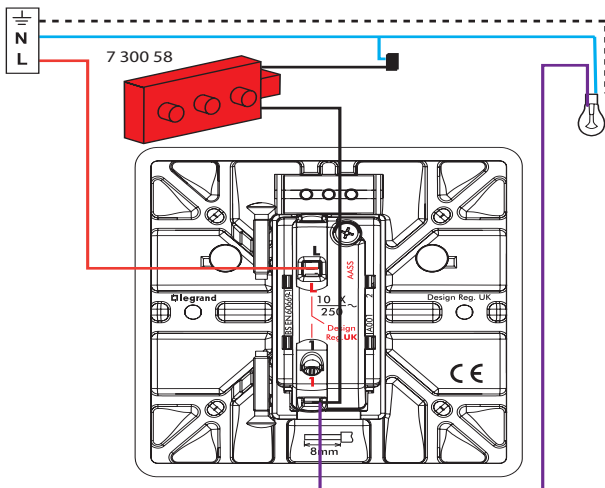
5. SWITCHES WITH LED INDICATORS/LOCATORS

Can be used as indicators or locators. When used as an indicator a neutral supply has to be brought to the unit.

Locator



Power indicator



6. TECHNICAL CHARACTERISTICS

■ 5.1 Mechanical characteristics

Impact tests: IK 01
Penetration by solid bodies/liquids: IP 2X

■ 5.2 Material characteristics

Rocker and plate: Thermoset urea self-extinguishing at 960° C / 30 s
Mechanism housing: Polypropylene self-extinguishing at 850° C / 30 s
Screw caps: Polycarbonate
Halogen free
UV resistant

■ 5.3 Electrical characteristics

Voltage: 250 V~
Current: 10 AX
Frequency: 50/60 Hz
Contact clearance > 3 mm
Maximum power on self ballasted lamp load (SBL, LED, CFL Compact Fluorescent Lamp): 100 W

■ 5.4 Climatic characteristics

Storage temperature: - 10° C to + 70° C
Use temperature: - 5° C to + 40° C

7. CLEANING

Clean the surface with a cloth.
Do not use acetone, tar-removing cleaning agents or trichloroethylene.

Resistance to the following cleaning substances:
Hexane (EN 60669-1), Methylated spirit, Soapy water, Diluted ammonia, Diluted pure bleach 10%, Glass cleaning product.

Caution: An initial test is required for the use of other special maintenance products.

8. STANDARDS AND APPROVALS

Compliance with standards of installation and manufacturing.
See e.catalogue.